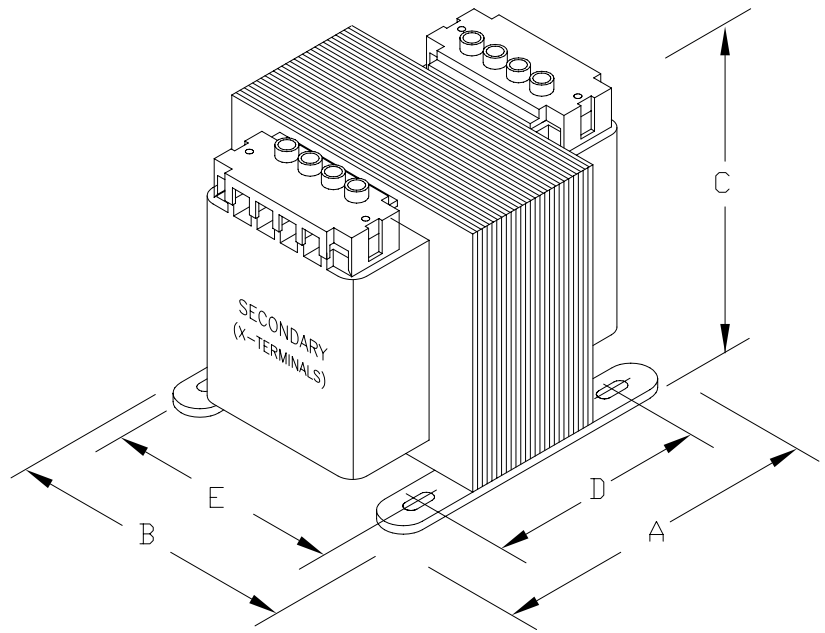


CONNECTION DIAGRAM



PROVIDED WITH SAFE TOUCH TERMINAL COVERS.
NO INTEGRAL FUSING CAPABILITY.

DIMENSIONS							APPROX. WT. LBS (KG)
	A	B	C	D	E	MTG. SLOTS	
INCHES (MM)	5.13 (130)	5.25 (133)	4.50 (114)	3.88 (99)	4.38 (111)	0.313X1.063 (8.0X27.0)	



CAT.NO. B500-2059-GAF		CONST. ENCAPSULATED				UL LISTED	
		MODEL GLOBALTRAN					
RATING							SP CERTIFIED
OUTPUT AMPS	20.83	PRIMARY V	380		TEMP. CLASS	CE	
VA	500	SECONDARY V	24		130°C		IEC 61558
					HZ 50/60	REVISION G	